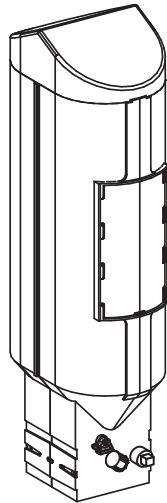


Dispenser Sticker
4 1/8" x 7 1/8" trim size

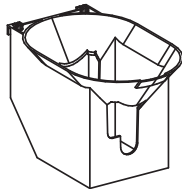
Automatic Cereal Hopper Dispenser

Disassembly and cleaning instructions

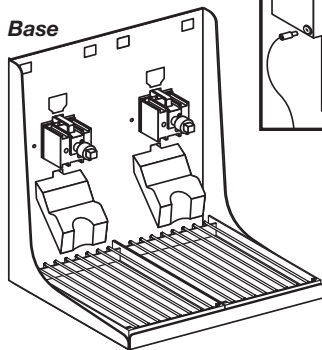
Cereal bin



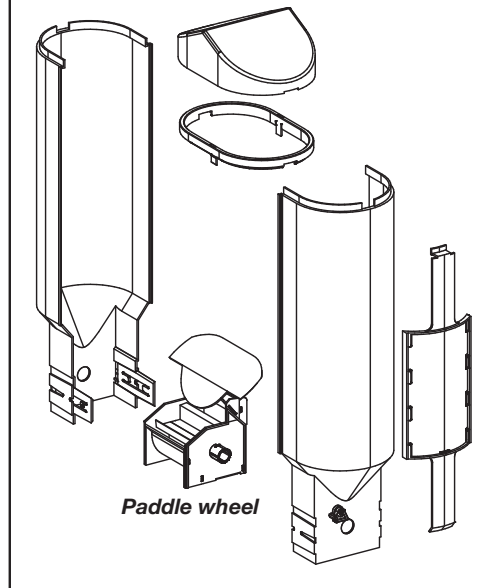
Saddle



Base

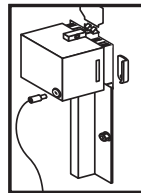


Fully disassembled
hopper for washing



Paddle wheel

Fig 1



Remove cereal bin for cleaning:

1. Unplug adapter (Fig 1)
2. Flip up locking tabs
3. Slide back motor housing
4. Remove clear cereal bin

Reattaching motor:

1. Place clear bin into saddle
2. Slide motor housing forward while rotating paddle wheel
3. Flip down locking tabs
4. Reconnect adapter

Hands Free
Bulk Cereal
Dispensers
Reference Page

