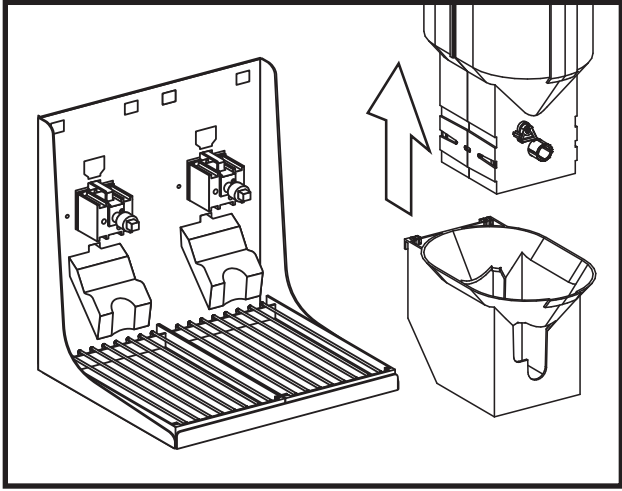
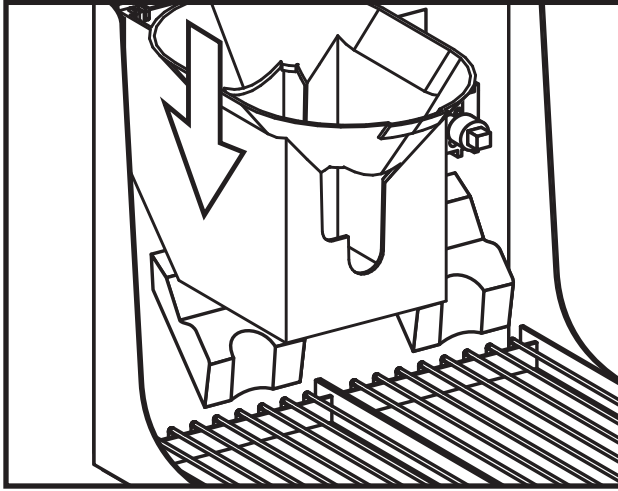


# Automatic Cereal Hopper Dispenser

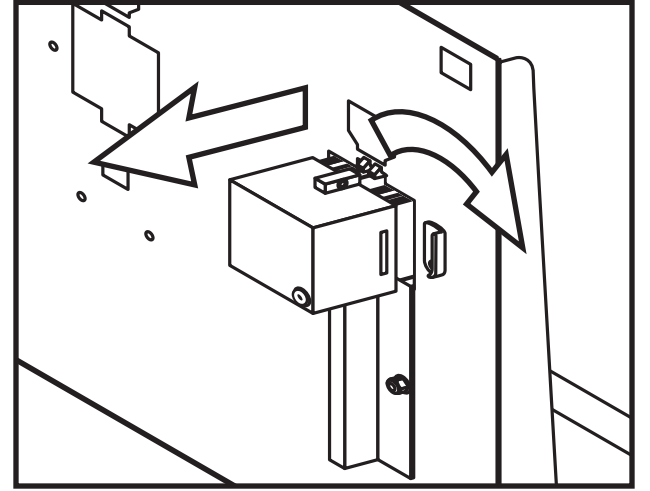
2-wide or 3-wide set-up



- Set metal base on counter
- Remove clear bin from gray saddle

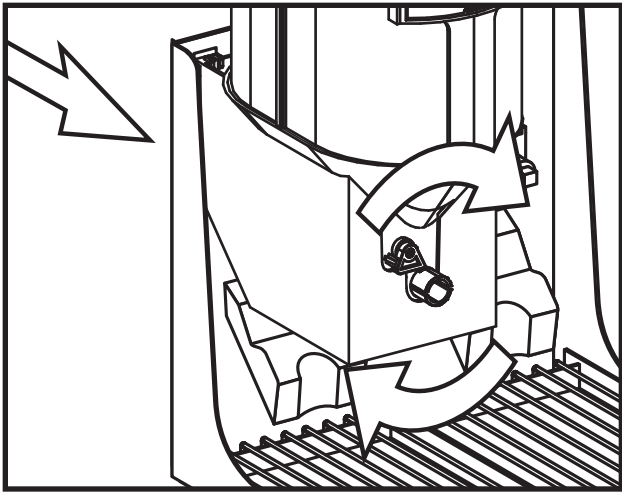


- Hook gray saddle on to metal base

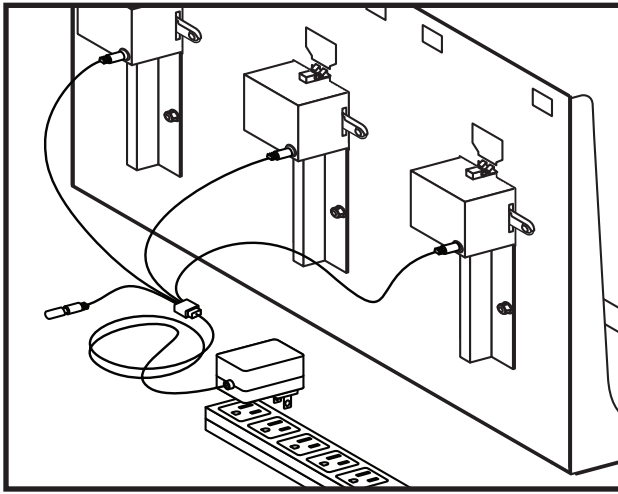


- Flip locking tabs up
- Slide motor housing back until it stops

## 3-wide set-up

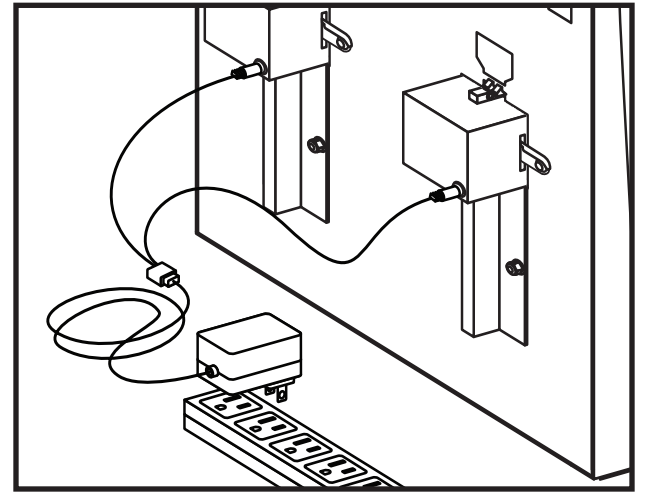


- Place clear bin in saddle
- Slide motor housing forward (left arrow) as you gently rotate paddle wheel shaft (right arrow)
- Lock motor tabs on back



- Plug 3 longest leads into motor housings (do not use capped short lead)
- Plug in adaptor

## 2-wide set-up



- Plug leads into motor housing
- Plug in adaptor

### Parts List

Bin lid	Saddle
Top ring	Base
Bin hopper half	Crumb tray with grate
Paddle wheel	Push lever
Bin side clip	Motor housing
Cereal label holder	Power adapter

### Electrical requirements

Input	100-240V
Output	9V
Current	2A

Hands Free Bulk Cereal  
Dispensers Reference Page

